

# Utility Capstan Electric Winch-Hoist 300AB

CAPSTAN SERIES

## Features

- 800-lb single-line or 1,600-lb double-line lift
- Trifecta system 115 Volt brake motor with triple brake system for instant stopping
- Worm gear reduction for positive load holding
- Portable and rugged
- Low voltage 10' pendant hand or foot control
- Capstan rope drum
- Frictionless bearings

## Applications

*All My-te winches and hoists are designed for material handling usage only.*

Overhead line crews

Tower and antenna erection

Transformer replacement



*Shown here with foot control.*

# Utility Capstan Electric Winch-Hoist **300AB**

## CAPSTAN SERIES

### Construction Features:

- Heavy-duty angle base drilled for four 1/2" bolts (9/16" mounting holes) with no welding required
- Fully sealed aluminum housings, with precision-cut gears, run in an oil bath
- Hardened steel worm and forged bronze worm gear holds load in position when stopped.
- Stress-proof drum shaft
- Frictionless bearings
- 286:1

### Hoisting Rope:

Consult your local dealer for type and size of rope. Maintain at least three wraps of rope on capstan drum when in use. Heavier loads may require four wraps of rope.

### Power:

- Universal 18,500 RPM reversible 1.25 HP brake motor (no-load speed)
- 15' power cord plugs into any 115 Volt AC grounded outlet
- 6 amp – No load
- 20 amp – Full load

### Speeds:

- 59 FPM: No-load drum speed
- 30 FPM: 500 lbs

### Duty Cycle:

- 25% – 15 min/hr when operating at full load.

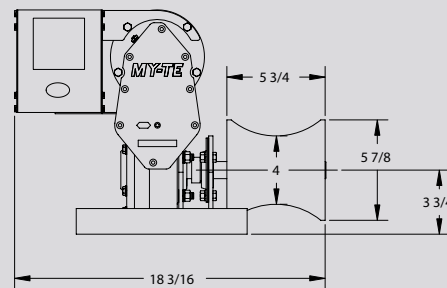
**Shipping Weight:** 69 lbs

### Factory-Installed Options:

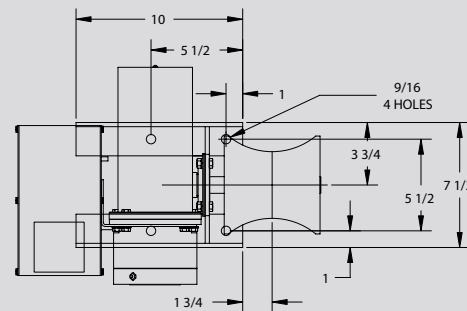
- Foot switch
- 208 Volt
- Pole mount
- Swivel mount
- Variable speed
- Receiver hitch mount

*For custom design and application assistance of a My-te winch-hoist, see your My-te distributor or call My-te Products, Inc. (800) 840-9880. Visit us at [www.myte.com](http://www.myte.com)*

FRONT VIEW



TOP VIEW



SIDE VIEW

